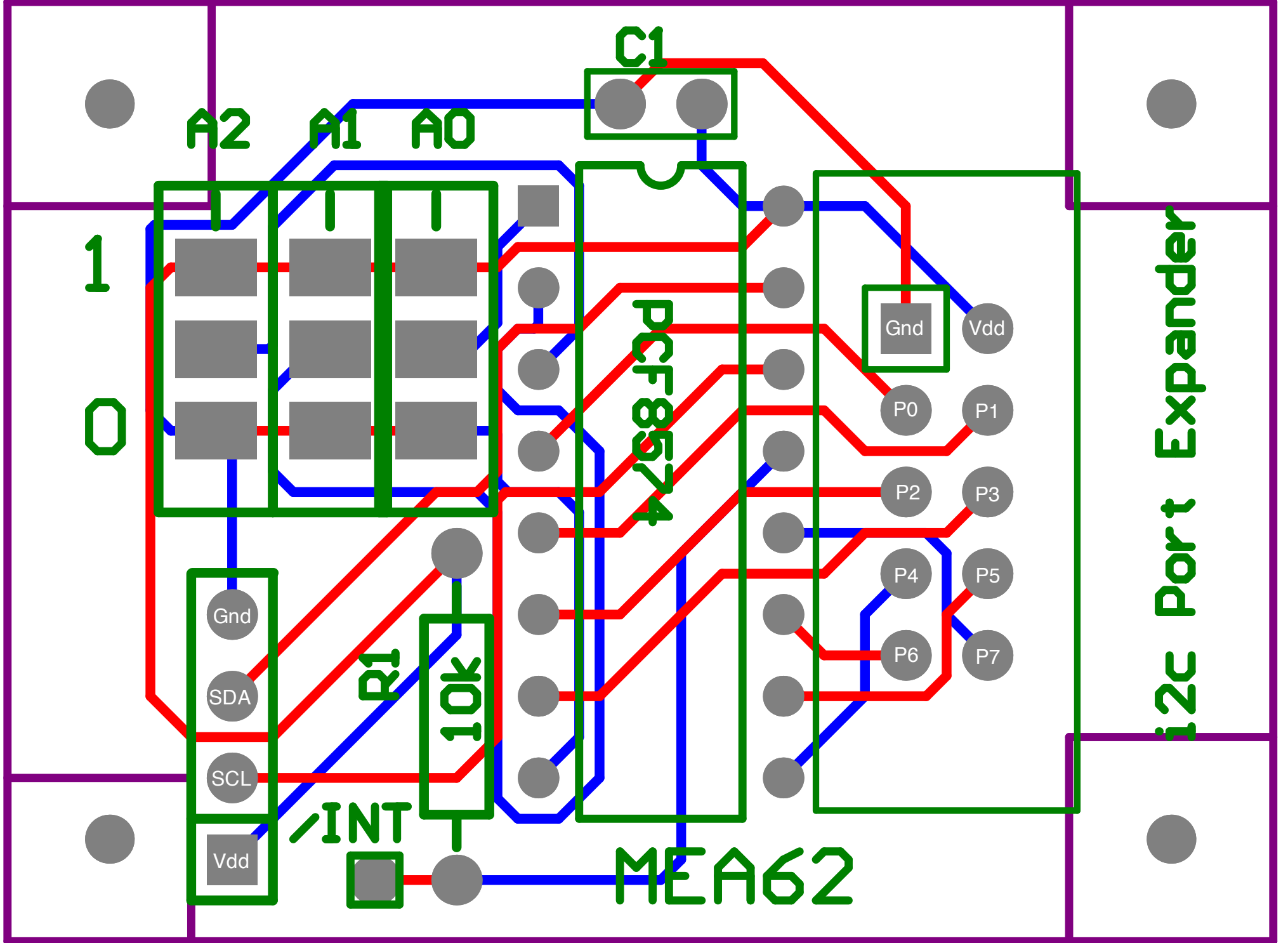


Title			
PCF8574 i2c PORT E PANDER			
Size	Number	Revisi n	
A4	MEA62	ajh 20130319	
Date:	18/11/2009	Sheet	f
File:	D:\ME_pri A\mea62\pcbprj\Mea62.Sch	Drawn By:	KS



Comment	Description	Designator	Footprint	LibRef	Quantity
0.1	uF	C?	CAP.1	CAP	1
HEADER_1_4		HDR?	header_1x4	HEADER_1_4	1
IDC10_2		HDR?	IDC10_BO	IDC10_2	1
/INT	IO	IO?	IO	IO	1
JMPER_3		J?	JMP_3	JMPER_3	3
10k	k	R?	RES_4	RES	1
PCF8574		T?	DIP16	PCF8574	1